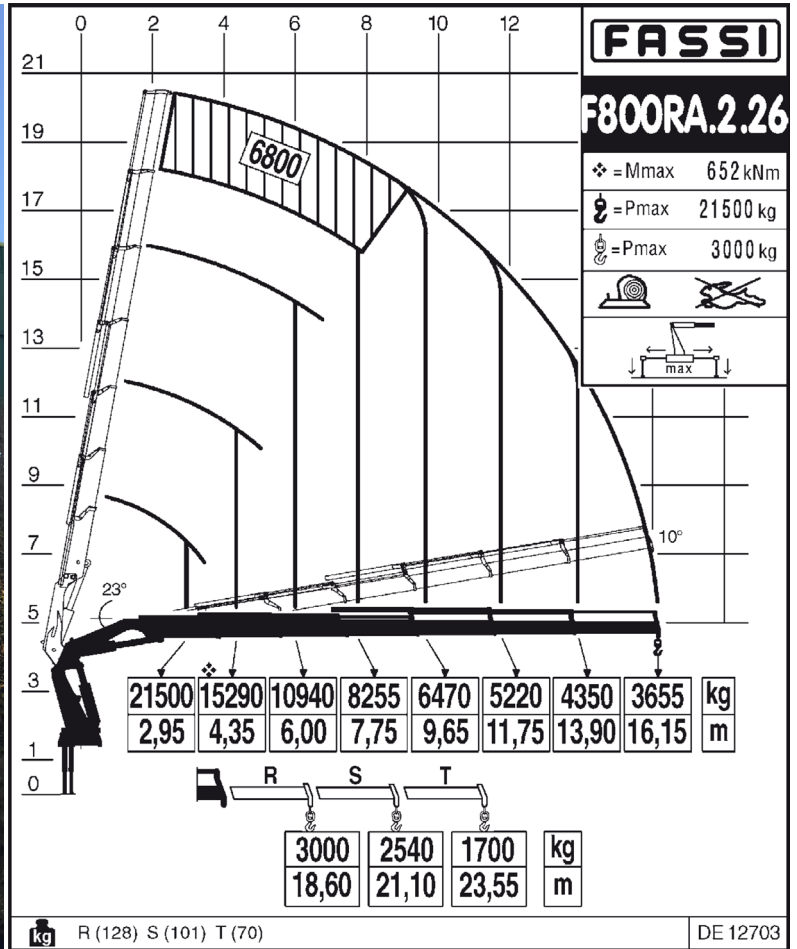
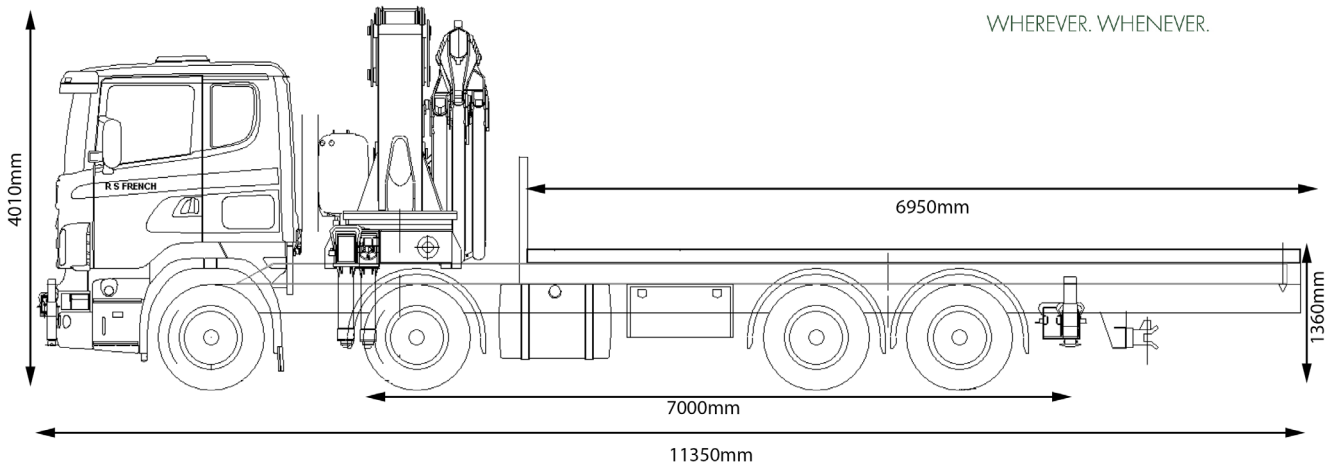


Fleet Number: LV63LEU
80- Tonne/Meter Front Mounted 8- Wheeled Rigid
Fassi F800RA.2.26
360° Lifting Capacity
Drawbar Trailer Available



WHEREVER. WHENEVER.



Crane details and Specifications: 80- Tonne/Meter Fassi.

Max Outreach 16.15m with a lifting capacity of 3655 Kg. Max lift 15290Kg at a radius of 4.35m, Crane weight 7350Kg, Centre of gravity 3.26m. Max Stabilizer force:19.6daN/cm2 (Worst Case Scenario) Stabilizer pad size (Main/Aux) 600mm x 600mm/500mmx500mm Column offset 320mm, Distance between front and Auxiliary Stabilizers 7000mm. Front Stabilizer span 8490mm, Rear Stabilizer Span 6900mm

Truck details and specifications: Scania 8x4 Rigid Drawbar combination

G.V.W.: 32000 Kg, Tare Weight 23500Kg, Payload 8500Kg Available with Drawbar and Trailer. GTW 44000Kg